

DOME® BY HEATSAIL

EN

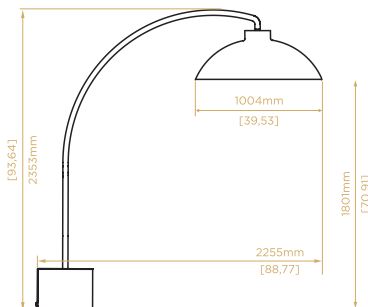
SUMMER NIGHTS SHOULD LAST FOREVER

OUTDOOR LIGHT & HEATING

PRICE LIST SHOPS IN EURO - Valid per 01/01/2019 - Subject to changes - sales@heatsail.com

DOME® FREESTANDING	EX VAT
DOME® FREESTANDING BLACK/WHITE	2895
BASE IN BLACK/WHITE WITH 2 WHEELS INCLUDED	
OPTIONS	
BLUETOOTH SPEAKERS	330
RAL	330
HT +25% HEAT	330
DOME® PROTECTIVE COVER	248
195 EXTRA LENGTH (180 - 195)	83
2 ADDITIONAL WHEELS	83
EXTRA WEIGHT - PACKAGE OF STEEL - 6 PLATES FOR DOME® / 5 PLATES FOR DOME® + BLUETOOTH MUSIC	83
DOME® PENDANT	
DOME® PENDANT BLACK/WHITE WALL BRACKET INCLUDED	2895
DOME® PENDANT BLACK/WHITE STEM INCLUDED > MAX. HEIGHT CEILING 3M56	2270
OPTIONS	
RAL	330
HT +25% EXTRA HEAT	330
DOME® LIGHT	
DOME® LIGHT	1075
OPTIONS	
RAL	330

TECHNICAL SPECIFICATIONS



ENERGY

Consumption 3,22 kw/h
Infra-red heat 3100 Watt
Lighting 120 Watt

UK VERSION

Consumption 2,97 kw/h
Infra-red heat 2850 Watt
Lighting 120 Watt

DIMENSIONS

Diameter hood 100cm
Hood height 50cm
Base 43x43x32cm

RADIATING RANGE OF 5 METRES



BEEM® BY HEATSAIL

SUMMER NIGHTS SHOULD LAST FOREVER

OUTDOOR LIGHT & HEATING

PRICE LIST SHOPS IN EURO - Valid per 01/01/2019 - Subject to changes - sales@heatsail.com

DESCRIPTION	EX VAT
B230	2060
B290	2470
B390	3300
B520	4160
AVAILABLE IN CHAMPAGNE OR BLACK COLOR	

**B230**

Infra-red heat
Lighting

3000 Watt
6 x 16 Watt

Electrical requirements

Fuse
Wiring

16 amp
3 x 2,5 mm²

B290

Infra-red heat
Lighting

3000 Watt
6 x 16 Watt

Electrical requirements

Fuse
Wiring

16 amp
3 x 2,5 mm²

B390

Infra-red heat
Lighting

4000 Watt
8 x 16 Watt

Electrical requirements

Fuse
Wiring

20 amp
5 x 2,5 mm² or
(2x) 3 x 2,5 mm²

B520

Infra-red heat
Lighting

4000 Watt
8 x 16 Watt

Electrical requirements

Fuse
Wiring

20 amp
5 x 2,5 mm² or
(2x) 3 x 2,5 mm²

