

DOME® BY HEATSAIL

EN

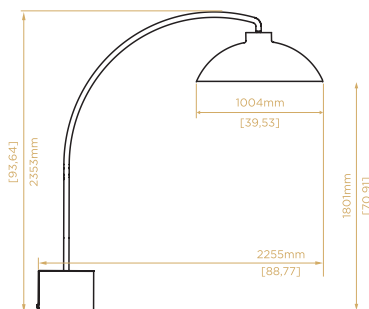
# SUMMER NIGHTS SHOULD LAST FOREVER

OUTDOOR LIGHT & HEATING

PRICE LIST SHOPS IN EURO - Valid per 01/01/2019 - Subject to changes - sales@heatsail.com

DOME® FREESTANDING	EX VAT
DOME® FREESTANDING BLACK/WHITE	2895
BASE IN BLACK/WHITE WITH 2 WHEELS INCLUDED	
<b>OPTIONS</b>	
BLUETOOTH SPEAKERS	330
RAL	330
HT +25% HEAT	330
DOME® PROTECTIVE COVER	248
195 EXTRA LENGTH (180 - 195)	83
2 ADDITIONAL WHEELS	83
EXTRA WEIGHT - PACKAGE OF STEEL - 6 PLATES FOR DOME® / 5 PLATES FOR DOME® + BLUETOOTH MUSIC	83
<b>DOME® PENDANT</b>	
DOME® PENDANT BLACK/WHITE WALL BRACKET INCLUDED	2895
DOME® PENDANT BLACK/WHITE STEM INCLUDED > MAX. HEIGHT CEILING 3M56	2270
<b>OPTIONS</b>	
RAL	330
HT +25% EXTRA HEAT	330
<b>DOME® LIGHT</b>	
DOME® LIGHT	1075
<b>OPTIONS</b>	
RAL	330

## TECHNICAL SPECIFICATIONS



### ENERGY

Consumption 3,22 kw/h  
Infra-red heat 3100 Watt  
Lighting 120 Watt

### UK VERSION

Consumption 2,97 kw/h  
Infra-red heat 2850 Watt  
Lighting 120 Watt

### DIMENSIONS

Diameter hood 100cm  
Hood height 50cm  
Base 43x43x32cm

**RADIATING RANGE OF 5 METRES**



BEEM® BY HEATSAIL

# SUMMER NIGHTS SHOULD LAST FOREVER

OUTDOOR LIGHT &amp; HEATING

PRICE LIST SHOPS IN EURO - Valid per 01/01/2019 - Subject to changes - sales@heatsail.com

DESCRIPTION	EX VAT
B230	2060
B290	2470
B390	3300
B520	4160

**B230**

Infra-red heat  
Lighting

3000 Watt  
6 x 16 Watt

Electrical requirements

Fuse  
Wiring

16 amp  
3 x 2,5 mm<sup>2</sup>

**B290**

Infra-red heat  
Lighting

3000 Watt  
6 x 16 Watt

Electrical requirements

Fuse  
Wiring

16 amp  
3 x 2,5 mm<sup>2</sup>

**B390**

Infra-red heat  
Lighting

4000 Watt  
8 x 16 Watt

Electrical requirements

Fuse  
Wiring

20 amp  
5 x 2,5 mm<sup>2</sup> or  
(2x) 3 x 2,5 mm<sup>2</sup>

**B520**

Infra-red heat  
Lighting

4000 Watt  
8 x 16 Watt

Electrical requirements

Fuse  
Wiring

20 amp  
5 x 2,5 mm<sup>2</sup> or  
(2x) 3 x 2,5 mm<sup>2</sup>

